

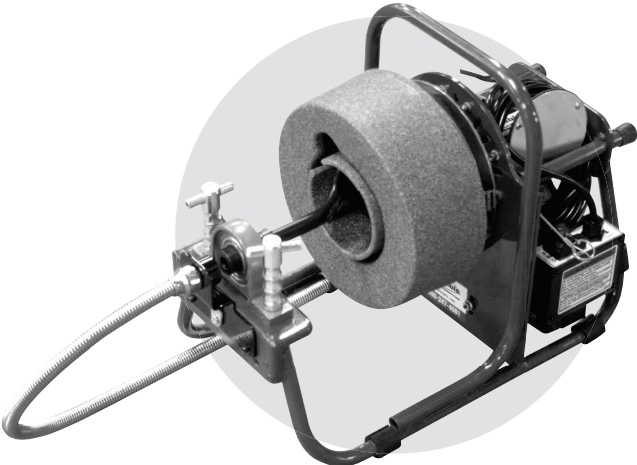


READ MANUAL BEFORE OPERATING
KEEP MANUAL FOR FUTURE REFERENCE

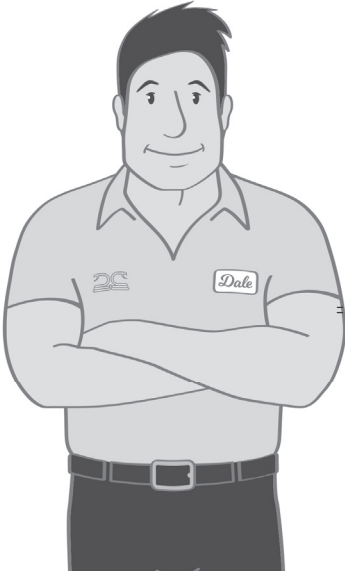
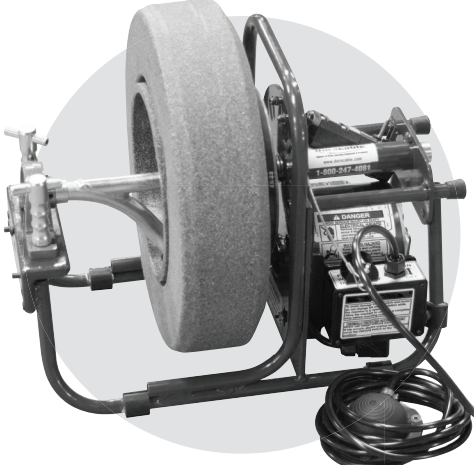
MACHINE MANUAL

★ BUILT USA TOUGH ★

DM125



DM138



RIGHT IN THERE WITH YOU.



DURACABLE®
— MANUFACTURING CO —

DM125 & DM138 MACHINE MANUAL

TABLE OF CONTENTS

2	Warranty, Parts and Service
3	Safety Labels
4-5	DM125 / DM138 Machine Operation
6-7	DM125 Information and Specifications
8-9	DM138 Information and Specifications
10-13	DM125 Machine Schematics and Parts List
14-15	DM138 Machine Schematics and Parts List
16-17	DM125 / DM138 Reel Schematics and Parts List
18-20	DM125 / DM138 Electrical Schematics and Safety Information
21	How to Splice DuraFlex® Cable and How to Bond End Fittings

WARRANTY

Duracable Manufacturing Company warrants the DM125 / DM138 machine to be free from defects in material and workmanship for a period of two years from the date of purchase. Warranty service can be obtained by contacting Duracable Manufacturing Company at the address listed below. If a defect is covered by warranty, Duracable Manufacturing Company will repair or replace the defective machine or component without charge for labor or materials (freight is not included).

Warranty of the machine is limited to the original purchaser. Duracable Manufacturing Company assumes no responsibility for damage or injury from accident, neglect, abuse, misuse or from damage due to repair or alterations by others. This warranty does not cover damage to the machine from use of parts other than genuine Duracable brand parts.

Duracable Manufacturing Company's sole obligation and the original purchaser's sole remedy under this warranty shall be for repair or replacement as described above. All other warranties, expressed or implied, including but not limited to, implied warranties of merchantability and fitness for a particular purpose, are disclaimed. In no event shall Duracable Manufacturing Company be liable for any incidental or consequential damages.

PARTS AND SERVICE INSTRUCTIONS

Parts can be purchased from Duracable Manufacturing Company. Service work is also available. Service is performed by trained factory personnel. Machines sent to the factory for evaluation and repair can be estimated and quoted prior to service work. When sending a machine, be sure to include the return address and include instructions on how the repair should be handled. Instructions can either be included with the machine, explained to your account manager over the phone (800-247-4081), or faxed (515-223-6109).

IMPORTANT

Keep this manual in a safe, convenient place for future reference. Important information about this machine, its diagrams and warranty information are included in this manual.

Serial Number:

Date of Purchase:

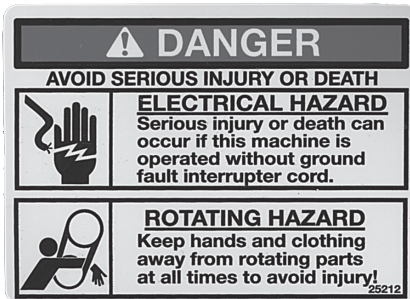
Duracable Manufacturing Company
300 Ashworth Road • West Des Moines, IA 50265

SAFETY LABELS

Duracable Manufacturing uses three signal words on its safety labels and instructions. These words have the following definitions:

⚠ DANGER

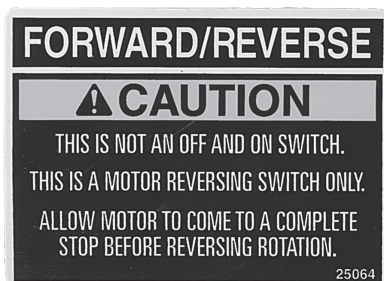
A 'Danger' label indicates an imminently hazardous situation that, if not avoided, will result in death or serious injury. This signal word is to be limited to the most extreme situation, typically for machine components that, for functional purposes, cannot be guarded. The word 'danger' will be in white letters on a red background.



⚠ CAUTION

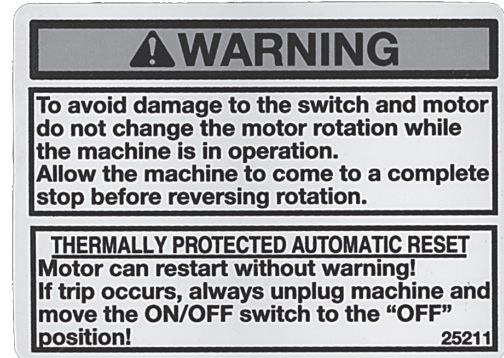
A 'Caution' label indicates a potentially hazardous situation that, if not avoided, may result in minor or moderate injury. It may also be used to alert against unsafe practices. The word 'caution' will be in black letters on a yellow background.

The safety label format includes the signal word and symbol, a picture (not required), and the message.



⚠ WARNING

A 'Warning' label indicates a potentially hazardous situation that, if not avoided, could result in death or serious injury, and includes hazards that are exposed when guards are removed. It may also be used to alert against unsafe practices. The word 'warning' will be in black letters on an orange background.



MACHINE OPERATION

Safe Machine Operation

Read this machine manual thoroughly before assembling or operating the machine. Become familiar with its controls and proper use before operating. Keep this manual in a handy place for reference and parts replacement referral. This machine is designed specifically for the purpose of opening and cleaning drains. Use it for this purpose - do not use it for other purposes.

Use gloves to protect your hands. Wear them to feed and retrieve cable. Use a material that can not be easily grabbed by the cable. Most leather gloves and certain rubber gloves work well. Duracable Manufacturing Company has each type available through the Duracable Product Catalog. Also, avoid the use of loose-fitting clothes or jewelry when operating this machine.

Keep guards in place to protect the operator from the electric motor and electrical wiring. These guards are for safety protection and must be in place when running the machine. Each machine is equipped with an air foot pedal or toggle on/off switch. The pedal allows the machine operator to turn the machine on or off with the foot while keeping both hands on the cable.

Select a work area free from obstruction with room to work. Keep the machine within three feet of the pipe opening, allowing only enough room to work. This is required to shorten the length of exposed cable, thus providing maximum control in high-torque situations. Take a position that is comfortable to the left or right side of the machine for feeding or retrieving cable. For high work openings, the machine can be placed on its back as conditions require.

When performing a job, use the smallest blade first. Rinse the pipe after each blade is run through the line in order to clean out loosened debris. Then follow with the increasing sizes of blades until the size used is one that actually scrapes the side of the pipe or sewer. The cutting blades are flexible and can be compressed to enter most cleanout openings. Centrifugal force created by the spinning cable forces the blades to expand to their natural diameter or to the walls of the pipe. It is advisable to maintain a very keen cutting edge on the blades at all times.

Place two hands on the cable between the outlet of your machine and the cleanout, and keep them there at all times during operation. Your hands placed in the proper position will provide a guide for the cable.

As the blade makes contact with an obstruction in the line, it stops the blade from turning and builds torque in the cable. Do not permit the blade to get hung up in an obstruction for more than three seconds. Torque buildup can be both helpful and dangerous. It is helpful when pulled from the obstruction in a timely manner. When the cable is pulled away, the tension is released and the blade turns at a high speed. When the blade is free, feed it back into the obstruction to make use of the built-up power to clean the line. It is dangerous because excess torque can cause looping over of the cable. Serious injury to fingers

and hands is possible unless precautions are observed. When retrieving cable from the line, feed the cable into the machine until the blade is close to the cleanout opening. Shut off the machine and hand-feed the remaining cable into the machine.

Unpacking Your Machine

The DM125 / DM138 is shipped to you fully assembled and ready to use. The base machine, reel, cable, and the revolving arm are all included. When the machine arrives, remove it immediately and inspect for damage. If any of the contents are damaged, contact your motor freight carrier immediately.

Lubrication Maintenance

Caution: Do not over oil these points.

- Reel Shaft and Reel Bearings - Check and re-tighten set screws during the first 24 to 48 hours of operation. The reel shaft requires monthly lubrication. Use a multipurpose grease or heavy oil. Keeping the shaft lubricated means the reel will slide freely and will not "freeze" to the shaft and need to be repaired. The reel bearings require some light oil monthly.
- Belt - Check tension during the first 24 to 48 hours of operation.
- Belt Tension - Ideal deflection is 1/4". Over tensioning shortens belt and bearing life.
- Air Foot Pedal - Check for wear or stress cracks.

Cable Care Instructions

Take care of your cable for optimum performance. The recommended care procedure is as follows:

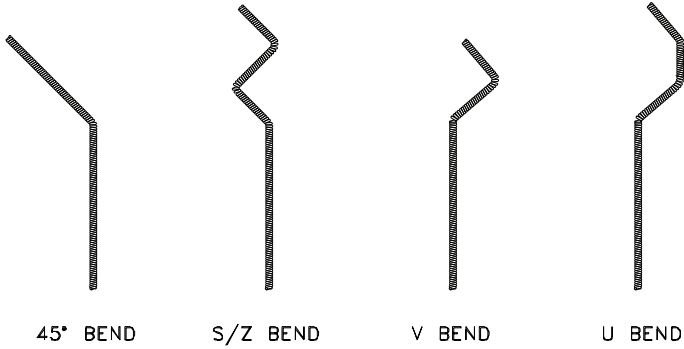
- Break in a new cable. To relieve the stress on new cable that has been coiled since its manufacture, put it in a clean line and run it for 10 minutes.
- Oil the cable once a week.
- Rinse the cable immediately after each use with the hottest water available. This is especially important if the cable was in acid or alkali during use.
- When one end of the cable begins to show wear, rewind and use the opposite end. (Tip: order the same kind of end fittings on both ends of the cable.)
- If the cable kinks, cut out the kink and splice the cable ends together.

Installing New Cable

- Remove cable from the carton and lay it in a straight line on the floor.
- Make sure the reel is secured on the machine and the revolving arm rotates freely.
- Feed the cable through the revolving arm.
- The revolving arm must be turning counterclockwise while loading the cable.
- Install the guide tube, cable end, and cutting blade. The cable end may be bent to desired form (as shown on the next page).

DM125 & DM138 MACHINE MANUAL

MACHINE OPERATION



DM125

- 1/6 HP Motor

- 230 RPM

- Pulley Drive

- 8" Reel

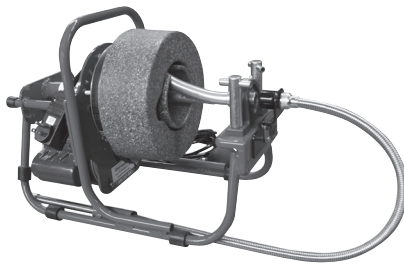
- 1/4" x 37' Cable

- Integrated Handle

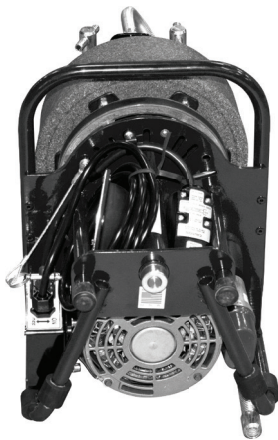
- 2-Year Warranty

- Continuous Weld Uni-body Frame

USES:
 1-1/4" to 2" lines,
 Residential,
 Sinks,
 Bathtubs,
 Shower Drains



Model DM125
with 8PRK, 8" Polyethylene Reel



Model DM125
with 8PRK, 8" Polyethylene Reel



DM138

- 1/4 HP Motor

- 230 RPM

- Pulley Drive

- 14" Reel

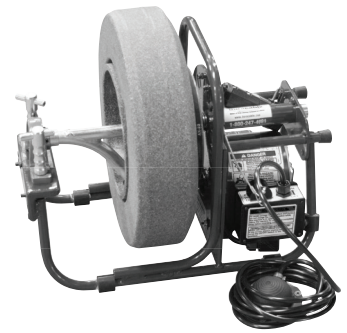
- 3/8" x 90' Cable

- Optional Handle

- 2-Year Warranty

- Continuous Weld Uni-body Frame

USES:
 1-1/4" to 3" lines,
 Residential,
 Sinks,
 Bathtubs,
 Shower Drains



Model DM138
with 14PRWLK, 14" Enclosed Polyethylene Reel



Model DM138
with 14PRWLK, 14" Enclosed Polyethylene Reel



DM125 INFORMATION AND SPECIFICATIONS

Frame

The frame on the DM125 is a continuously welded uni-body frame made of high strength aluminum alloy with a heavy-duty casted front bearing mount. Non-marring rubber pads do not leave marks on the customers' floors.

Head Bearing

The DM125 is equipped with a heavy-duty casted self-aligning head bearing, which makes sure that the reel stays properly aligned when it spins. This increases the life span, making for a longer-lasting reel. The head bearing holds the reel in place, as well as allowing quick release of the reel. Just loosen the two "T" bolts and everything slides off for fast reel changes.

Electrical Wiring

The machine's electrical wiring is located in the conduit box on the right side of the motor, housing both the forward/reverse switch and the air foot switch. There is an optional on/off toggle switch that can be used in place of the air foot pedal.

The Ground Fault Circuit Interrupter (GFCI) is built into the electrical cord for added safety. The GFCI protects the operator against electrical shock or electrocution. A great feature is a switch guard that protects the forward/reverse switch from accidentally being bumped and going into reverse.

RPM/Drive

The DM125 has a 1/6 HP motor, operates at 230 rpm and has a heavy-duty 20-amp switch. The machine can be purchased with 300 rpm, however, caution is recommended at this speed.

Maneuverability

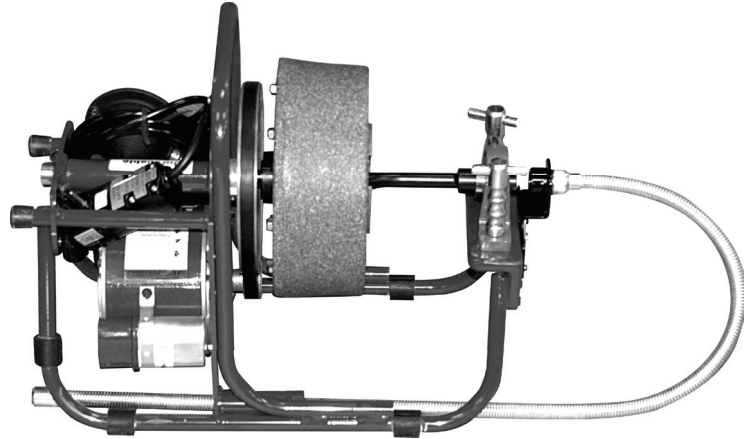
The DM125 can operate in the upright position at just the right angle to avoid tipping over. A guide tube and quick-lock guide tube bracket are standard features on the machine.

Cable and Reel Selections

The DM125 handles 1/4" cable with the 8PRK reel.

Standard Package

The DM125's standard package (part number DM125A) comes with the following items: revolving arm, 1/6 HP motor at 230 rpm, 8" enclosed polyethylene reel, 1/4" x 37' cable, guide tube, and quick-lock guide tube bracket. See the machine packages and accessories charts on the next page for additional options.



The DM125 machine is shown above with the 8PRK reel and guide tube and quick-lock guide tube bracket. (See options on the next page.)



Model DM125's standard quick-lock guide tube bracket is shown above, part number 11036.

MACHINE SPECIFICATIONS (APPROXIMATE)

Length of Standard Machine	20"
Width of Machine with 8PRK Reel	10"
Height of Machine with 8PRK Reel	14"
Weight of Machine with 1/6 HP Motor	22.5 lbs
Weight of 8PR Reel with Inner Reel	5 lbs
Weight of 8PRK Reel with Inner Reel and Head Bearing	6.25 lbs
Line Size	1-1/4"-2"

RECOMMENDED USE: residential lines, sinks, bathtubs and shower drains

DM125 & DM138 MACHINE MANUAL

DM125 INFORMATION AND SPECIFICATIONS

REELS			REEL ATTACHMENTS	FLOATING RINGS	FLOATING RING ATTACHMENTS	REVOLVING ARM	CABLES*	
Part #	Dimensions	Description	Part #	Part #	Part #	Part #	Part #	Dimensions
8PRK	8" Diameter	Enclosed Polyethylene Reel with Inner Reel and Head Bearing	N/A	N/A	N/A	25RA	__25-037	1/4" up to 37'

* Add **CH** in front of cable part # for Hollow Core.

* Add **CI** in front of cable part # for Inner Core.

* Maximum length of cable is not always the recommended length.

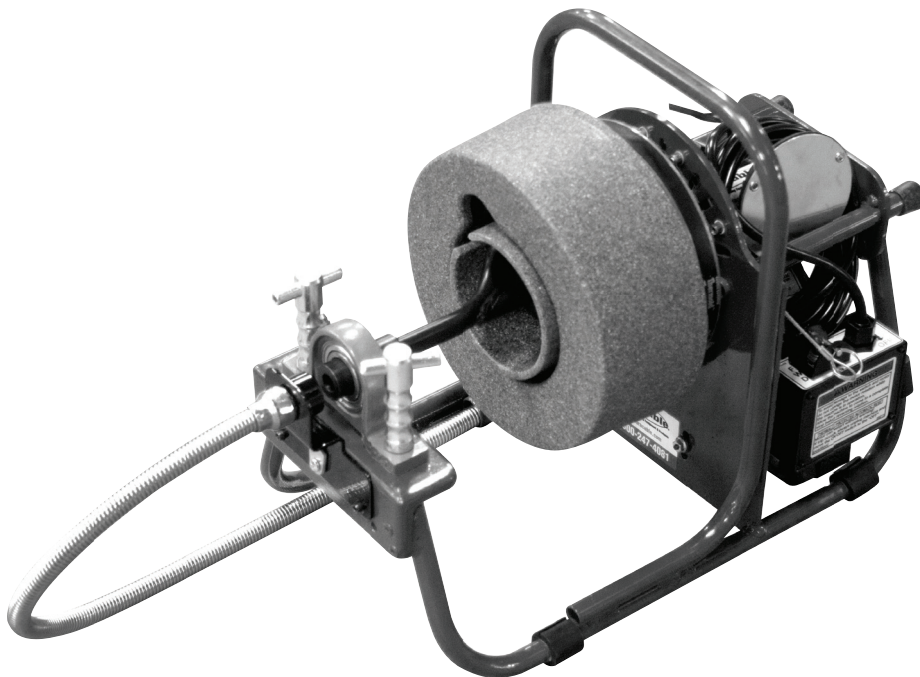
* Custom lengths are available.

MACHINE PACKAGES

Part #	Horse Power	RPM	Pedal/Switch	Reel
DM125A	1/6 HP Motor	230 RPM	Air Foot Pedal	8PRK

MACHINE ACCESSORIES / REPLACEMENT PARTS

Part #	Description
11006	1/6 HP Motor
25001	Toggle On/Off Switch
25074	Air Foot Pedal (<i>rubber</i>) with 10' Tubing
25061	Air Switch with Strain Relief Nut
25003	Forward/Reverse Switch
25216	Guide Tube
11036	Quick-Lock Guide Tube Bracket
8PR	8" Enclosed Polyethylene Reel (<i>no head bearing</i>)



The DM125 is shown above with the 8PRK reel and standard guide tube and quick-lock guide tube bracket.

DM138 INFORMATION AND SPECIFICATIONS

Frame

The frame on The DM138 is a continuously welded uni-body frame made of high strength aluminum alloy with a heavy-duty casted front bearing mount. Non-marring rubber pads do not leave marks on the customers' floors.

Head Bearing

The DM138 is equipped with a heavy-duty casted self-aligning head bearing, which makes sure that the reel stays properly aligned when it spins. This increases the life span, making for a longer-lasting reel. The head bearing holds the reel in place, as well as allowing quick release of the reel. Just loosen the two "T" bolts and everything slides off for fast reel changes.

Electrical Wiring

The machine's electrical wiring is located in the conduit box on the right side of the motor, housing both the forward/reverse switch and the air foot switch. The Ground Fault Circuit Interrupter (GFCI) is built into the electrical cord for added safety. The GFCI protects the operator against electrical shock or electrocution. A great feature is a switch guard that protects the forward/reverse switch from accidentally being bumped and going into reverse.

RPM/Drive

The DM138 has a 1/4 HP motor, operates at 230 rpm and has a heavy-duty 20 amp switch.

Maneuverability

The DM138 can operate in the upright position at just the right angle to avoid tipping over. A detachable handle, with the bracket welded-on is an available option for the DM138. If desired, it can be attached to the back plate to allow for easy pick-up with the 14" reel. A guide tube and quick-lock guide tube bracket are options.

Cable and Reel Selections

The DM138 is recommended with the 14PRK reel which handles 5/16" cable and 3/8" cable. It can accommodate the 8PRK reel and 1/4" cable.

Standard Package

The DM138's standard package (part number DM138A) comes with the following items: revolving arm, 1/4 HP motor at 230 rpm, 14" enclosed polyethylene reel, 3/8" x 90' cable, and choice of end fittings. See the machine packages and accessories charts on the next page for additional options.



The Model DM138 is shown above with the 14PRK reel.
(See options on the next page.)

MACHINE SPECIFICATIONS (APPROXIMATE)

Length of Standard Machine	20"
Width of Machine with 14PRWLK Reel	14"
Width of Machine with 8PRK Reel	10"
Height of Machine with 14PRWLK Reel	15-1/4"
Height of Machine with 8PRK Reel	14"
Weight of Machine with 1/4 HP Motor	22.5 lbs
Weight of 14PR Reel with Inner Reel	6.5 lbs
Weight of 14PRWLK Reel with Inner Reel and Head Bearing	7.75 lbs
Weight of 8PR Reel with Inner Reel	5 lbs
Weight of 8PRK Reel with Inner Reel and Head Bearing	6.25 lbs
Line Size	1-1/4"-3"

RECOMMENDED USE: residential lines, sinks, bathtubs and shower drains

DM125 & DM138 MACHINE MANUAL

DM138 INFORMATION AND SPECIFICATIONS

REELS			REEL ATTACHMENTS	FLOATING RINGS	FLOATING RING ATTACHMENTS	REVOLVING ARM	CABLES*	
Part #	Dimensions	Description	Part #	Part #	Part #	Part #	Part #	Dimensions
8PRK	8" Diameter	Enclosed Polyethylene Reel with Inner Reel and Head Bearing	N/A	N/A	N/A	25RA	_25-037	1/4" up to 37'
14PRWLK	14" Diameter	Enclosed Polyethylene Reel with Inner Reel and Head Bearing	N/A	N/A	N/A	38RAW-L (standard arm)	_31-090 _38-090	5/16" up to 90' 3/8" up to 90'
14PRWRK	14" Diameter	Enclosed Polyethylene Reel with Inner Reel and Head Bearing	N/A	N/A	N/A	38RAW-R	_31-090 _38-090	5/16" up to 90' 3/8" up to 90'

* Add **CH** in front of cable part # for Hollow Core.

* Add **CI** in front of cable part # for Inner Core.

* Maximum length of cable is not always the recommended length.

* Custom lengths are available.

MACHINE PACKAGES

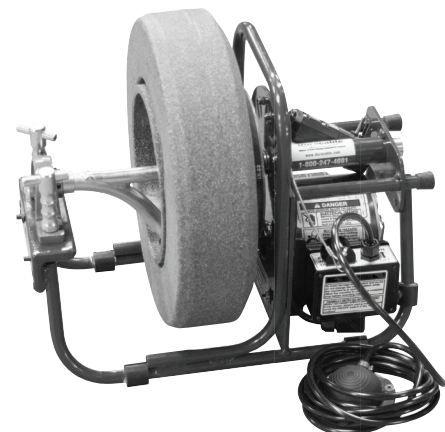
Part #	Horse Power	RPM	Pedal/Switch	Reel
DM138A	1/4 HP Motor	230 RPM	Air Foot Pedal	14PRWLK
DM138A2	1/4 HP Motor	230 RPM	Air Foot Pedal	8PRK & 14PRWLK

MACHINE ACCESSORIES / REPLACEMENT PARTS

Part #	Description
11005	1/4 HP Motor
25074	Air Foot Pedal (<i>rubber</i>) with 10' Tubing
25061	Air Switch with Strain Relief Nut
25003	Forward/Reverse Switch
11040	Detachable Handle with Welded-on Bracket
25216	Guide Tube
11036	Quick-Lock Guide Tube Bracket
8PR	8" Enclosed Polyethylene Reel (<i>no head bearing</i>)
14PRW	14" Enclosed Polyethylene Reel (<i>no head bearing</i>)

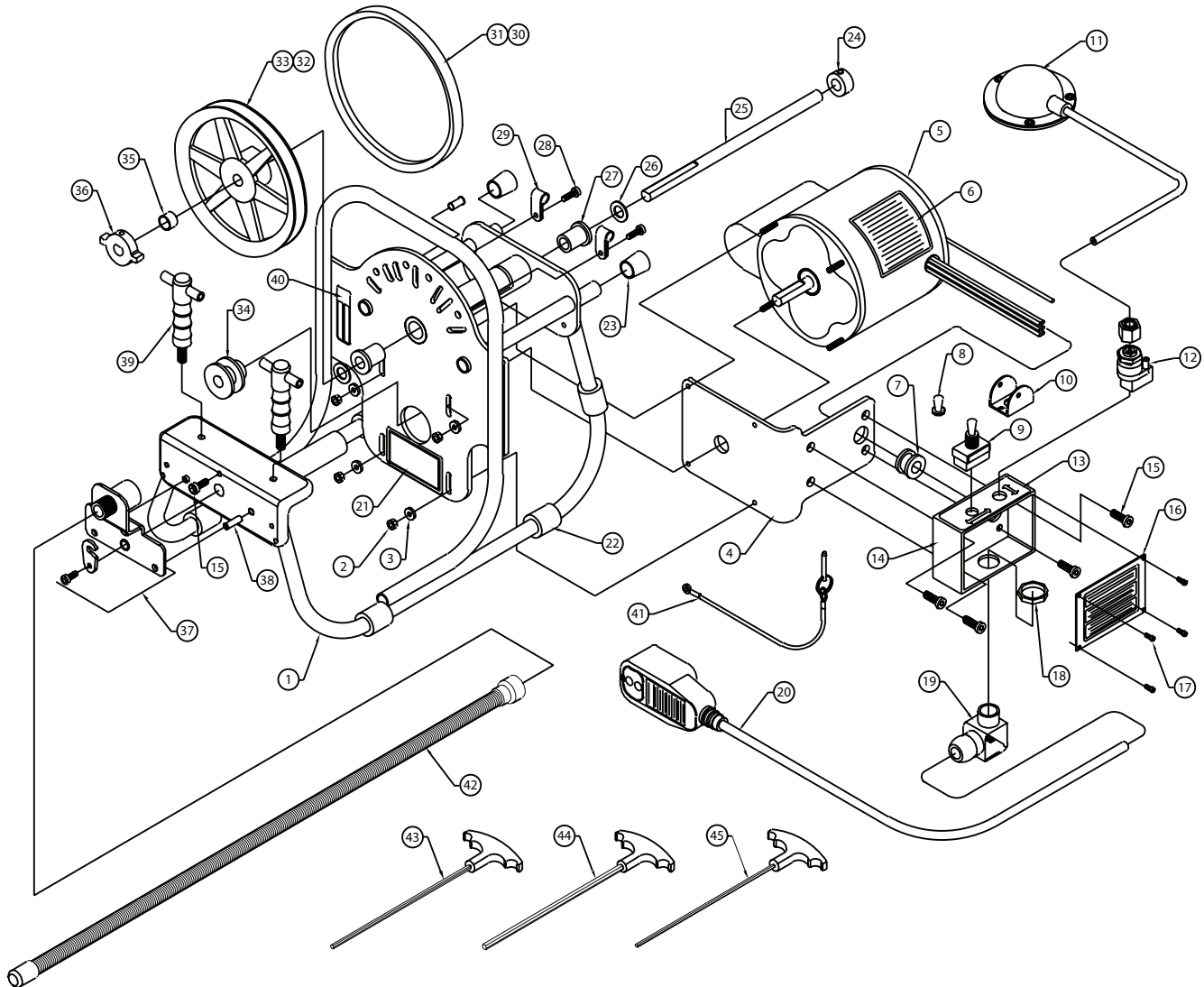


Detachable handle with welded-on bracket, part number 11040.



The DM138 is shown above, to the left and right, with the 14PRWLK reel.

DM125 SCHEMATIC WITH AIR FOOT PEDAL



PARTS IDENTIFICATION FOR AIR FOOT PEDAL SCHEMATIC

Item #	Qty.	Part #	Description
1	1	11016	Frame, Red
2	4	HXNUT27	#8-32 Hex Nut with Lock Washer
3	4	WA41	#8 Flat Washer
4	1	11025	Electrical Mounting Plate
5	1	11006	1/6 HP Motor
6	1	25212	GFCI / Rotating Danger Decal
7	1	MM23	Black Rubber Grommet
8	1	ECT26	Rubber Switch Boot
9	1	25003	Forward/ Reverse Switch
10	1	25015	Switch Guard

DM125 & DM138 MACHINE MANUAL

DM125 SCHEMATIC WITH AIR FOOT PEDAL

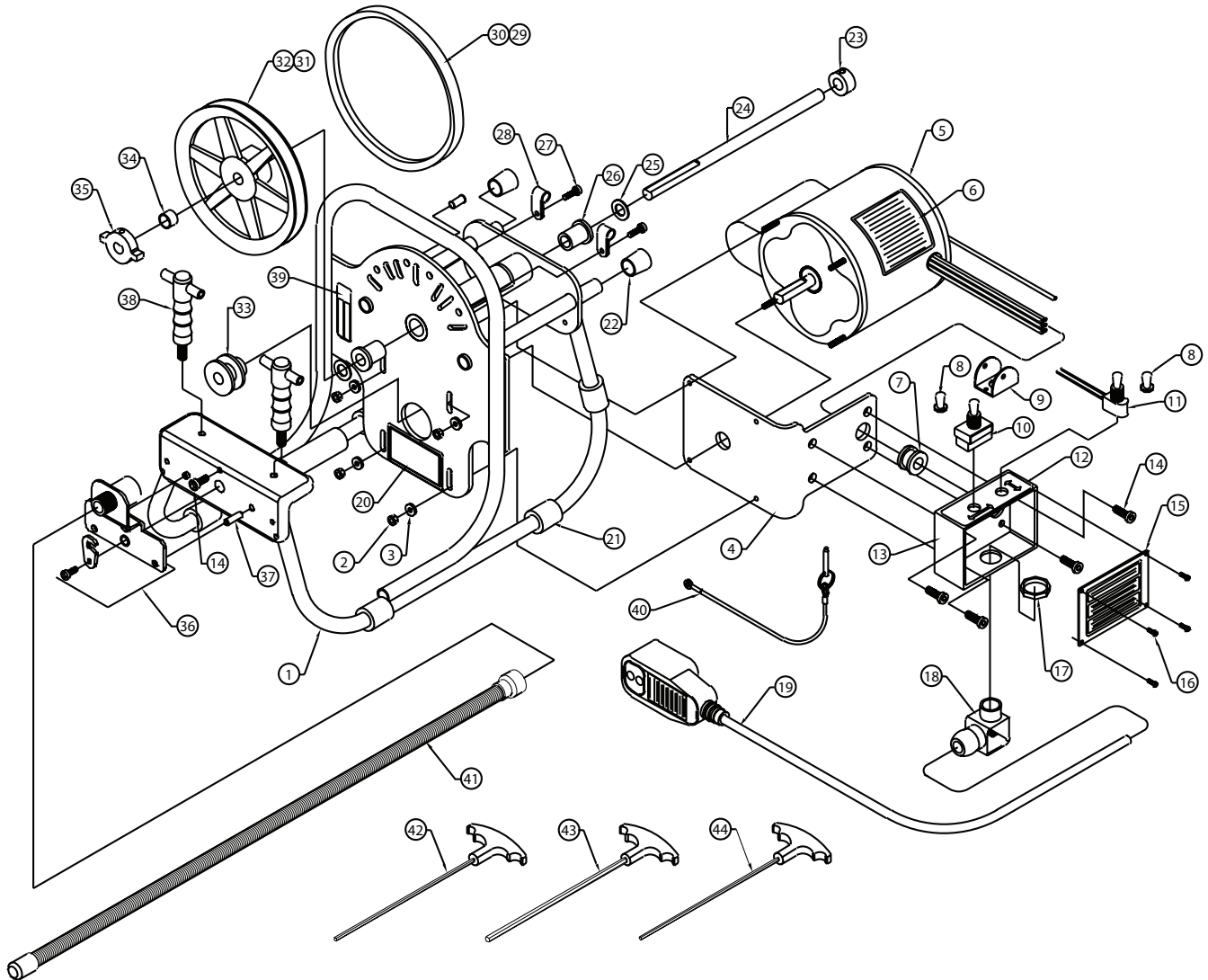


The entire line item in **bold** identifies the name of an entire assembly. The “Z” shaped arrow identifies all the parts that make up that assembly. You can purchase the entire assembly, or just the individual parts.

PARTS IDENTIFICATION FOR AIR FOOT PEDAL SCHEMATIC

Item #	Qty.	Part #	Description
11	1	25074	Air Foot Pedal (rubber) with 10' tubing
12	1	25061	Air Switch with Strain Relief Nut
13	1	25069	Decal, Forward/Reverse with On/Off
14	1	11030	Electrical Housing
15	5	SHCS31	1/4"-20 x 3/4" Socket Head Cap Screw
16	1	11031	Electrical Cover with Decal
	1	25211	Rotating Warning Decal
17	4	SHCS39	#4-40 x 5/16" Socket Head Cap Screw
18	1	ELN1	Electrical Nut, 1/2" National Pipe Thread (NPT)
19	1	ECT34	1/2" Strain Relief, 90° Snap Elbow with Dome Nut
20	1	25166	GFCI Cord, 16/3 x 22"
21	2	25000	Machine Logo Decal
22	6	MM19	Black Rubber Frame Pad
23	2	CPLUG4	Black Rubber Frame Cap
24	1	MM20	Shaft Collar with Set Screw
25	1	11020	Reel Shaft
26	2	MB4	Reel Shaft Bushing
27	2	SB16	Reel Shaft Bearing
28	2	PHSC6	#10-32 x 5/8" Pan Head Machine Screw
29	2	CCL1	Black Cable Clamp
30	1	81010C	4L220 Belt – 300 RPM
31	1	11012C	4L240 Belt – 230 RPM
32	1	11010B	Sheave, 4L x 6.0" Outside Diameter – 300 RPM
33	1	11012B	Sheave, 4L x 7.0" Outside Diameter – 230 RPM
34	1	11010A	Sheave, 4L x 1.5" Outside Diameter
35	1	11014	Drive Dog Spacer
36	1	11013	Drive Dog with Set Screw
37	1	11036	Guide Tube Bracket
	1	PHSC6	#10-32 x 5/8" Pan Head Machine Screw
	1	MM34	Swing "C" Washer
38	2	RLPIN7	1/4" x 5/8" Roll Pin
39	2	MM36	T-Bolt
40	1	SNTAG	Serial Number Tag
41	1	MM38	Detent Ring Pin with Lanyard Attached
42	1	25216	Guide Tube, 36"
43	1	HKEY11	5/32" x 9.0" T-Handle Hex Key
44	1	HKEY10	3/16" x 9.0" T-Handle Hex Key
45	1	HKEY9	1/8" x 9.0" T-Handle Hex Key

DM125 SCHEMATIC WITH TOGGLE ON / OFF SWITCH



PARTS IDENTIFICATION FOR TOGGLE ON/OFF SWITCH SCHEMATIC

Item #	Qty.	Part #	Description
1	1	11016	Frame, Red
2	4	HXNUT27	#8-32 Hex Nut with Lock Washer
3	4	WA41	#8 Flat Washer
4	1	11025	Electrical Mounting Plate
5	1	11006	1/6 HP Motor
6	1	25212	GFCI / Rotating Danger Decal
7	1	MM23	Black Rubber Grommet
8	2	ECT26	Rubber Switch Boot
9	1	25015	Switch Guard
10	1	25003	Forward/Reverse Switch

DM125 & DM138 MACHINE MANUAL

DM125 SCHEMATIC WITH TOGGLE ON / OFF SWITCH

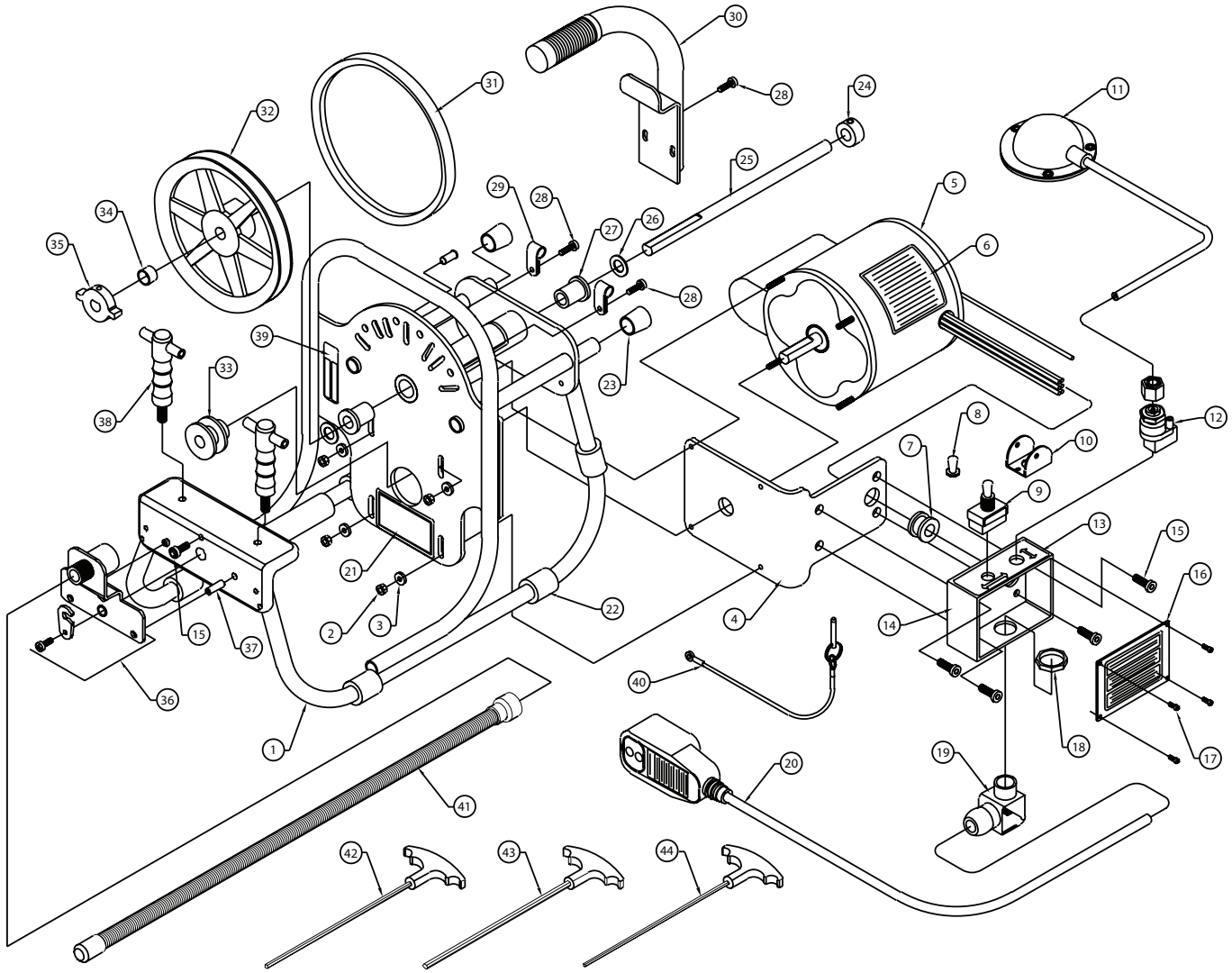


The entire line item in **bold** identifies the name of an entire assembly. The “Z” shaped arrow identifies all the parts that make up that assembly. You can purchase the entire assembly, or just the individual parts.

PARTS IDENTIFICATION FOR TOGGLE ON/OFF SWITCH SCHEMATIC

Item #	Qty.	Part #	Description
11	1	25001	On/Off Switch
12	1	25069	Decal, Forward/Reverse with On/Off
13	1	11030	Electrical Housing
14	5	SHCS31	1/4"-20 x 3/4" Socket Head Cap Screw
15	1	11031	Electrical Cover with Decal
	1	25211	Rotating Warning Decal
16	4	SHCS39	#4-40 x 5/16" Socket Head Cap Screw
17	1	ELN1	Electrical Nut, 1/2" National Pipe Thread (NPT)
18	1	ECT34	1/2" Strain Relief, 90° Snap Elbow with Dome Nut
19	1	25166	GFCI Cord, 16/3 x 22"
20	2	25000	Machine Logo Decal
21	6	MM19	Black Rubber Frame Pad
22	2	CPLUG4	Black Rubber Frame Cap
23	1	MM20	Shaft Collar with Set Screw
24	1	11020	Reel Shaft
25	2	MB4	Reel Shaft Bushing
26	2	SB16	Reel Shaft Bearing
27	2	PHSC6	#10-32 x 5/8" Pan Head Machine Screw
28	2	CCL1	Black Cable Clamp
29	1	81010C	4L220 Belt - 300 RPM
30	1	11012D	4L240 Belt - 230 RPM
31	1	11010B	Sheave, 4L x 6.0" Outside Diameter - 300 RPM
32	1	11012B	Sheave, 4L x 7.0" Outside Diameter - 230 RPM
33	1	11010A	Sheave, 4L x 1.5" Outside Diameter
34	1	11014	Drive Dog Spacer
35	1	11013	Drive Dog with Set Screw
36	1	11036	Guide Tube Bracket
	1	PHSC6	#10-32 x 5/8" Pan Head Machine Screw
	1	MM34	Swing "C" Washer
37	2	RLPIN7	1/4" x 5/8" Roll Pin
38	2	MM36	T-Bolt
39	1	SNTAG	Serial Number Tag
40	1	MM38	Detent Ring Pin with Lanyard Attached
41	1	25216	Guide Tube, 36"
42	1	HKEY11	5/32" x 9.0" T-Handle Hex Key
43	1	HKEY10	3/16" x 9.0" T-Handle Hex Key
44	1	HKEY9	1/8" x 9.0" T-Handle Hex Key

DM138 SCHEMATIC WITH AIR FOOT PEDAL



PARTS IDENTIFICATION FOR AIR FOOT PEDAL SCHEMATIC

Item #	Qty.	Part #	Description
1	1	D11016	Red Frame
2	4	HXNUT27	#8-32 Hex Nut with Lock Washer
3	4	WA41	#8 Flat Washer
4	1	11025	Electrical Mounting Plate
5	1	11005	1/4 HP Motor
6	1	25212	GFCI / Rotating Danger Decal
7	1	MM23	Black Rubber Grommet
8	1	ECT26	Rubber Switch Boot
9	1	25003	Forward / Reverse Switch
10	1	25015	Switch Guard

DM125 & DM138 MACHINE MANUAL

DM138 SCHEMATIC WITH AIR FOOT PEDAL

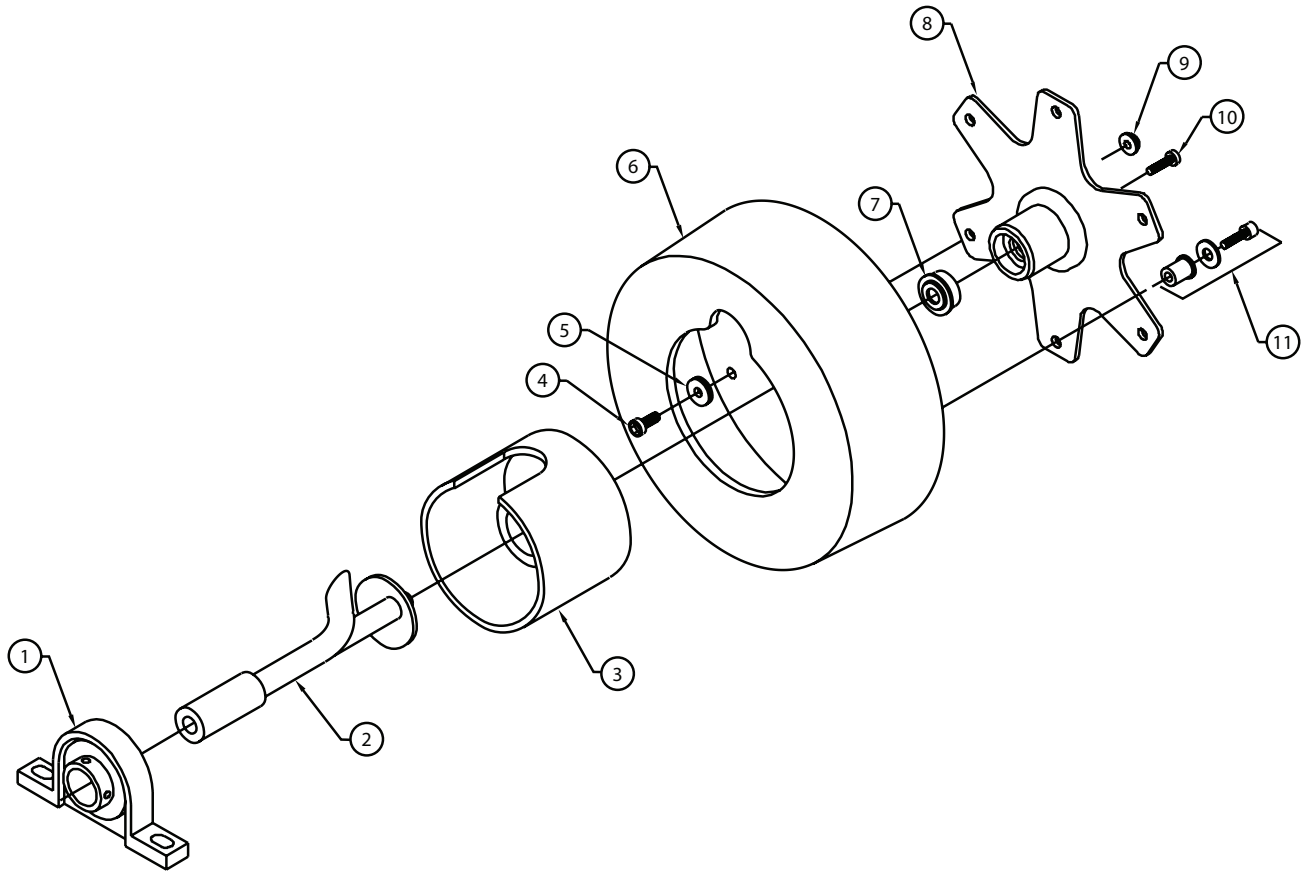


The entire line item in **bold** identifies the name of an entire assembly. The “Z” shaped arrow identifies all the parts that make up that assembly. You can purchase the entire assembly, or just the individual parts.

PARTS IDENTIFICATION FOR AIR FOOT PEDAL SCHEMATIC

Item #	Qty.	Part #	Description
11	1	25074	Air Foot Pedal (rubber) with 10' tubing
12	1	25061	Air Switch with Strain Relief Nut
13	1	25069	Decal, Forward/Reverse with On/Off
14	1	11030	Electrical Housing
15	5	SHCS31	1/4"-20 x 3/4" Socket Head Cap Screw
16	1	11031	Electrical Cover with Decal
	1	25211	Decal, Rotating Warning
17	4	SHCS39	#4-40 x 5/16" Socket Head Cap Screw
18	1	ELN1	Electrical Nut, 1/2" National Pipe Thread (NPT)
19	1	ECT34	1/2" Strain Relief, 90° Snap Elbow with Dome Nut
20	1	25166	GFCI Cord, 16/3 x 22"
21	2	25000	Decal, Machine Logo
22	6	MM19	Black Rubber Frame Pad
23	2	CPLUG4	Black Rubber Frame Cap
24	1	MM20	Shaft Collar with Set Screw
25	1	11020	Reel Shaft
26	2	MB4	Reel Shaft Bushing
27	2	SB16	Reel Shaft Bearing
28	3	PHSC6	#10-32 x 5/8" Pan Head Machine Screw
29	2	CCL1	Black Cable Clamp
30	1	11040	Bolt-on Handle
31	1	11012D	Belt, 4L240 – 230 RPM
32	1	11012B	Sheave, 4L x 7.0" Outside Diameter – 230 RPM
33	1	11010A	Sheave, 4L x 1.5" Outside Diameter
34	1	11014	Drive Dog Spacer
35	1	11013	Drive Dog with Set Screw
36	1	11036	Guide Tube Bracket
	1	PHSC6	#10-32 x 5/8" Pan Head Machine Screw
	1	MM34	Swing "C" Washer
37	2	RLPIN7	1/4" x 5/8" Roll Pin
38	2	MM36	T-Bolt
39	1	SNTAG	Serial Number Tag
40	1	MM38	Detent Ring Pin with Lanyard Attached
41	1	25216	Guide Tube, 36"
42	1	HKEY11	5/32" x 9.0" T-Handle Hex Key
43	1	HKEY10	3/16" x 9.0" T-Handle Hex Key
44	1	HKEY9	1/8" x 9.0" T-Handle Hex Key

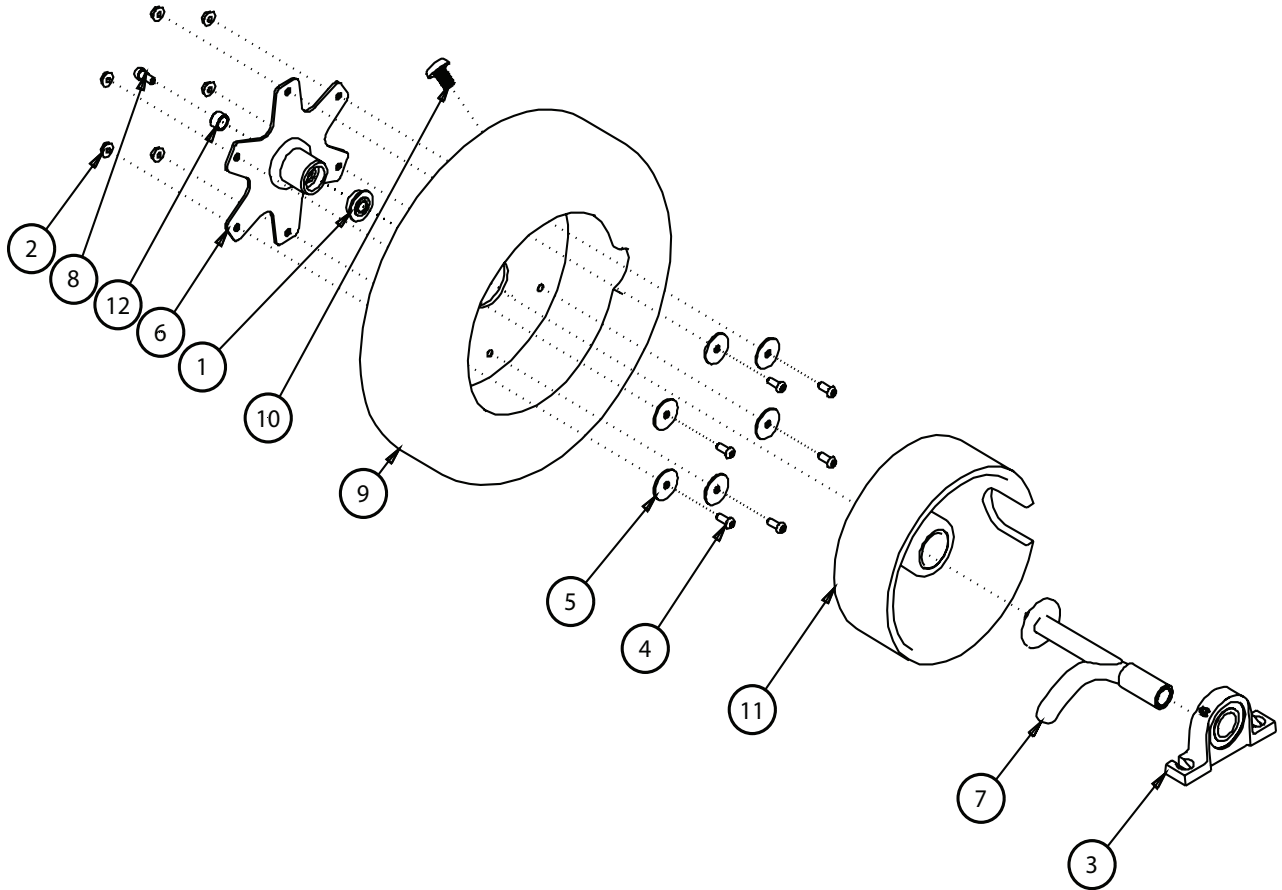
8PRK (8" POLYETHYLENE REEL) SCHEMATIC FOR DM125 AND DM138



ITEM	QTY.	PART#	DESCRIPTION
1	1	SB8	Head Bearing
2	1	25RA	Revolving Arm for 1/4" Cable
3	1	771402	Inner Reel with Head Bearing
4	6	SHCS32	1/4"-20 x 5/8" Socket Button Head Cap Screw
5	6	WA37	1/4 " x 3/4" Bonded Washer
6	1	770801	8" Reel
7	1	D6A	Reel Bearing
8	1	771403	Drive Plate with Hub
9	6	FLNUT5	1/4"-20 Hex Flange Head Nut, Locking
10	1	SKTS2	5/16" DS x 1/4"LS Shoulder Screw
11	1	MM39	Drain Plug Assembly

DM125 & DM138 MACHINE MANUAL

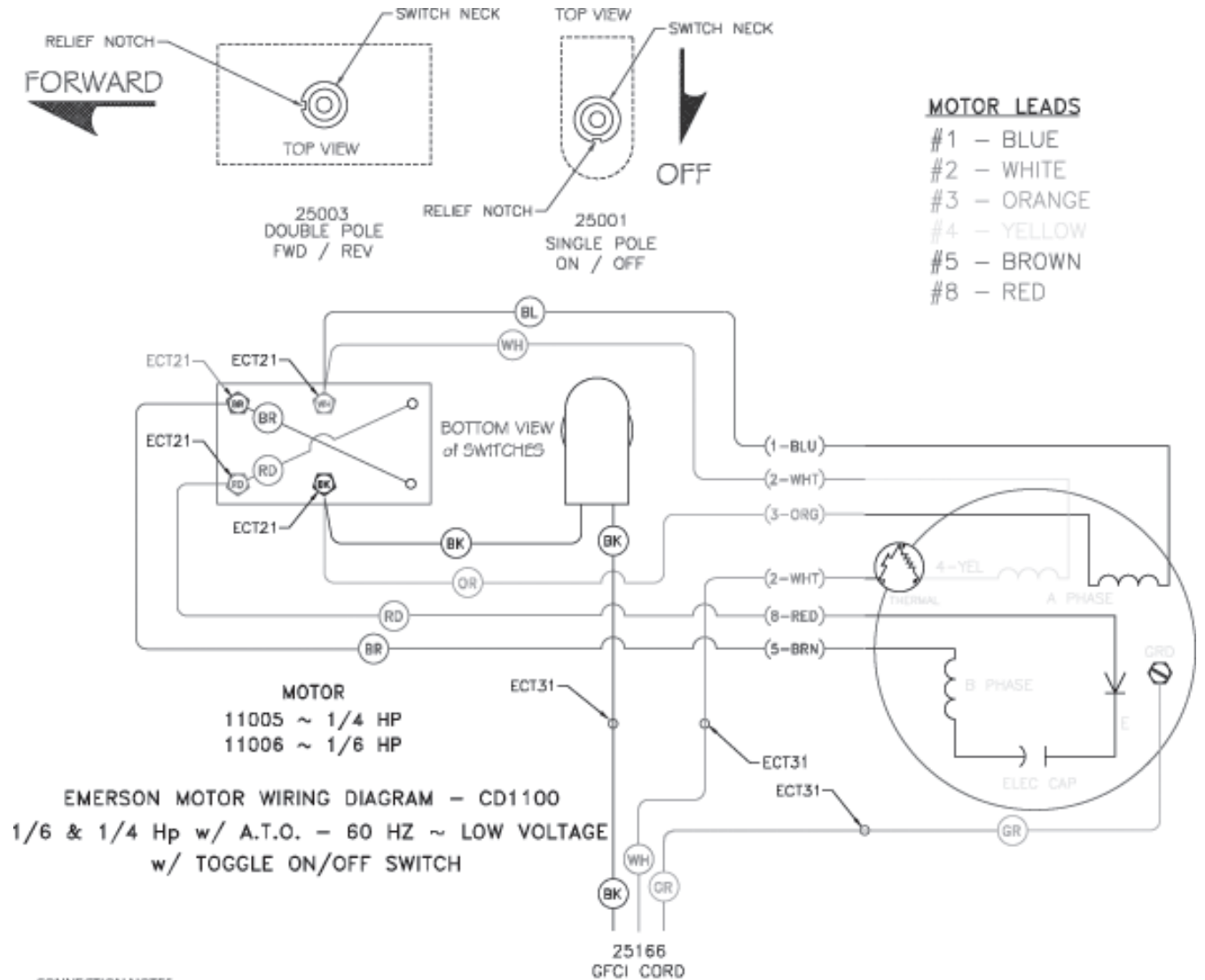
14PRWLK (14" POLYETHYLENE REEL) SCHEMATIC FOR DM138



ITEM	QTY.	PART#	DESCRIPTION
1	1	D6A	.438 ID x 1.012 OD Thrust Bearing
2	6	FLNUT5	.25-20 Flange Nut
3	1	SB8	1" Pillow Block Bearing
4	6	SHCS32	.25-20 x .625 SBHCS
5	6	WA47	.25 Body Washer
6	1	771403	8 & 14" Plastic Drum Hub - Plate
7	1	38RAW-L	.678 ID-L Wide Mouth Revolving Arm Assembly (optional right arm available 38RAW-R)
8	1	SKTS2	.313 OD x .25 LG Socket Shoulder Screw
9	1	771405	14" Dia Big Mouth Plastic Drum
10	1	MM60	.5-13 x .75 STD threaded plug
11	1	771408	3" Long Inner Drum w/Bearing
12	1	11014	.504ID x .628OD x .375LG Liner

DM125 & DM138 MACHINE MANUAL

ELECTRICAL SCHEMATIC FOR TOGGLE ON / OFF SWITCH (FOR DM125)



CONNECTION NOTES:

1. Wire connections are shown from the bottom view of the switches as they would be installed in the electrical box.
2. There are two white wire leads coming from the motor. These white wire leads are interchangeable. One white lead must be joined with the blue wire lead using an insulated female disconnect (part number ECT21). The other white lead must be attached to the white wire lead from the GFCI cord with a wire nut (part number ECT31).
3. The brown (#5-BRN) wire lead may be black (#5-BLK) on some models.

The wiring diagram for the basic DM125 is shown above. If you experience any electrical difficulties in operating your machine, or you notice any frayed or inadequate wiring, or wiring that does not conform to the diagram, discontinue use of your machine immediately and have a qualified electrician repair it, or return it for repair to Duracable Manufacturing Company.

ELECTRICAL SAFETY

Handle with Care

Although electricity is one of the safest energy forms, we tend to forget how powerful and dangerous it can be if not used properly. Every year many people are injured or killed by electricity. Most of these accidents could have been prevented with simple precautions and careful use of electricity. Following are some tips to help avoid electrical accidents. Read through this information. Be sure you understand its importance. If you have questions or feel you may have a potential electrical hazard, tell your supervisor or call a qualified electrician immediately.

General Electrical Guidelines

Remember, electricity is always trying to make a circuit. It can travel through an electric wire, metal pipe, or even your body. Electrical shock can occur when you come in contact with an energized electrical unit and a good conductor. Shock can range from a slight tingle to a severe burn, or death by electrocution.

Electrical accidents happen in everyday situations. Most electrocutions occur in a wet environment or when an electrical product is being repaired or installed. Think about, and take precautions against, potentially dangerous situations.

- When disconnecting electrical cords, pull on the plug rather than the cord to avoid damage.
- Use rubber gloves and rubber boots or insulated shoes to protect yourself, especially if you are in a wet or damp environment.
- Before using this machine, make sure a properly grounded, three-prong, 110-volt outlet is available. Where it is not available, use a three-prong adapter and connect the grounding lug to a known ground. Never cut off a grounding prong to fit a two-prong outlet. This eliminates the ground protection.

Electrical Procedures

Do not leave the machine plugged in when not in use. Even with the switch off, a machine can shock or electrocute its handler. The machine must be grounded to protect the operator from shock. This is accomplished by using the Ground Fault Circuit Interrupter Cord (GFCI) to ensure proper grounding.

Check electrical cords before each use for signs of damage. Repair or replace cords which are pinched, cracked, frayed, or worn. Remember, the GFCI offers no protection against electric shock for wiring preceding it in the system. Your GFCI is direct-wired to the machine, plug the GFCI into the power source receptacle.

Discontinue use and repair immediately any machine that causes the slightest shock or is damaged in any way. It could lead to a serious electrical shock or electrocution. Inspect the machine daily for wear or damage that might expose live electrical parts.

Ground Fault Circuit Interrupters (GFCI)

A GFCI works by detecting changes in electrical current flow. It breaks the circuit before serious injury can occur. For your protection, heed the "DANGER" warning on the machine cover and use the GFCI cord. The GFCI must be tested before each use. Use the following procedure:

- Insert the unit into a 110-volt, AC-grounded receptacle;
- Push the "test" button in - the red indicator light should go off;
- Push the "reset" button in - if the red indicator light goes on, the unit is ready for use;
- Do not use the unit if the light does not go on when reset;
- Do not use the unit if the indicator light remains on when the test button is pushed.

Extension Cords

- Use extension cords only when necessary.
- Position cords in use to prevent tripping hazards. Do not place them in areas where they can be damaged by traffic.
- Avoid coiling extension cords during use to prevent possible overheating of the cord.
- Discard cracked or damaged cords.
- The following cord sizes and lengths should be observed according to the National Electrical Code when using this machine:
 - 12 gauge wire - 75' of cord, including 25' of GFCI cord.
 - 14 gauge wire - 50' of cord, including 25' of GFCI cord.
- Cord sizes smaller than 12 gauge should not be used for 3/4 HP motors. Larger gauge cords can run greater distances, but are not practical because of their size and weight.
- To protect your motor, observe the guidelines mentioned. If you have a run more than 75', use a generator to reduce your cord length from the power source to a working distance within these guidelines.

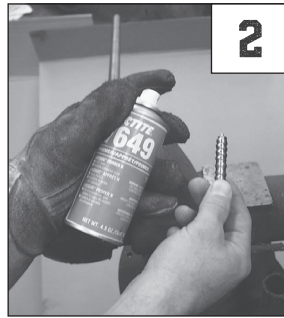
Overhead Power Lines

- When working outdoors, keep clear from overhead power lines in all directions.
- Check the location of power lines before using a ladder. Use approved ladders made of non-conductive material.
- Never place a ladder where it can slide into a power line.
- When carrying or moving a ladder or equipment, lower it to avoid touching a power line.
- Never assume that a wire is safe to touch.

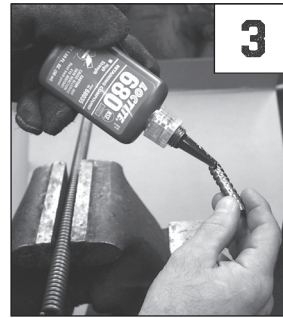
HOW TO SPLICE DURAFLEX® CABLE



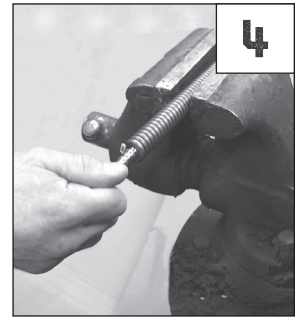
1. Cut a few inches off of each cable end and remove any burrs with a grinding disk or file.



2. Spray Loctite Primer in and around the cable end and splice core to thoroughly remove grease and grime.



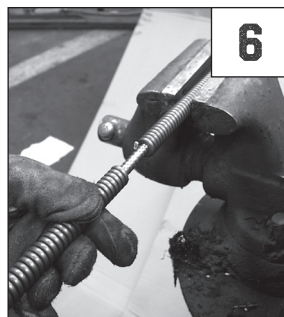
3. Apply Loctite Retaining Compound to splice core.



4. Insert splice core into cable one turn.



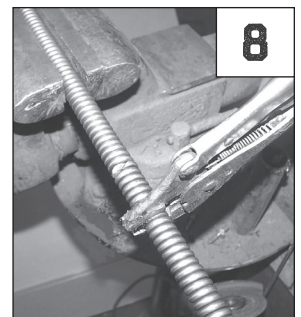
5. Apply Loctite Retaining Compound to other end of splice core.



6. Align other piece of cable onto splice core.



7. Place vise grips on free cable end and turn counterclockwise.

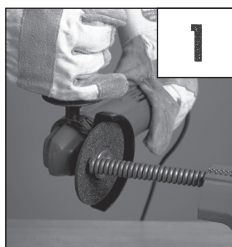


8. Continue turning and the cable ends will meet at the center of the splice core.

HOW TO BOND END FITTINGS TO DURAFLEX® CABLE

You can attach end fittings and splice cores to DuraFlex cable using a chemical bonding process, which means you can make quick cable repairs on the job—without welding. With Loctite Primer and Loctite Retaining Compound, you can quickly create a dependable bond that is as strong as a conventional weld. Please note that these products are not the same thread-locking compounds available in hardware stores and plumbing-supply houses, they are heavy-duty, permanent-bonding compounds made especially for jobs such as bonding cable fittings.

1. Cut the cable end and remove any burrs with a grinding disk or file.



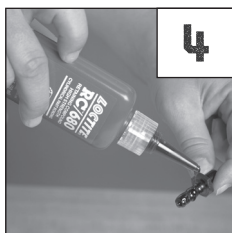
2. Spray Loctite Primer in and around the cable end to thoroughly remove grease and grime.



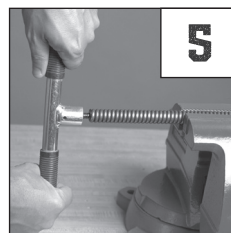
3. Spray Loctite Primer on the end fitting to thoroughly remove grease and grime.



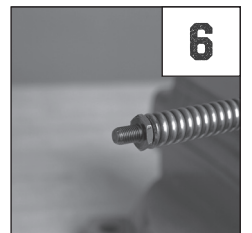
4. Apply Loctite Retaining Compound to the end fitting.



5. Using the wrench (part number EW), screw the fitting into the cable end until fitting is totally sealed.



6. The Retaining Compound will be fully bonded to the cable in just a few minutes.



DM125 & DM138 MACHINE MANUAL

Notes

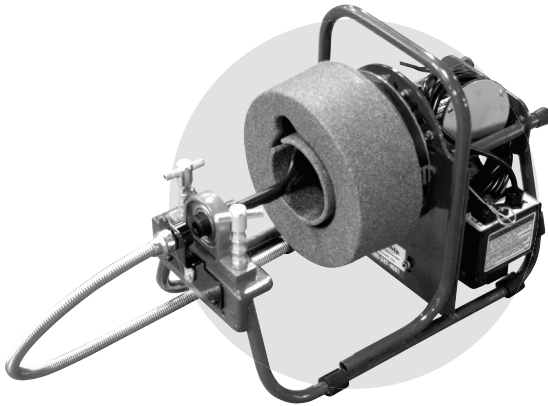
DM125 & DM138 MACHINE MANUAL

Notes

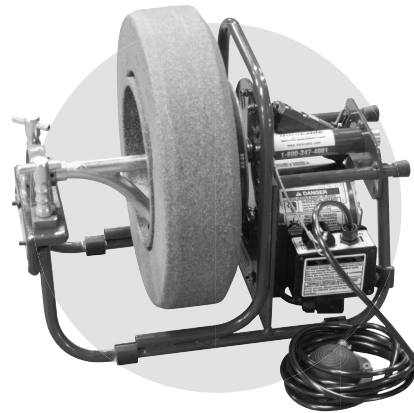
DM125 / DM138 MACHINE MANUAL

★ BUILT **USA** TOUGH ★

DM125



DM138



DURACABLE[®]
— MANUFACTURING CO —

300 ASHWORTH ROAD
WEST DES MOINES, IOWA 50265

DURACABLE.COM ----- **800.247.4081**

ANSWER LINE: 877.257.1781
FAX: 515.223.6109

DM125MM
UPDATED JUNE 2021